

**BOARD OF TRUSTEES**

Bonnie J. Batchler  
Robert W. Pautke  
Allen M. Freeman

**Fiscal Officer**

Debbie S. Schwey



**SERVICE DEPARTMENT**

**DIRECTOR**

John Koehler

950 Locust Corner Road  
Cincinnati, Ohio 45245

(513) 947.2021

Fax # (513) 752.8418

Permit # \_\_\_\_\_

**APPLICATION FOR WORK PERFORMED IN TOWNSHIP PUBLIC RIGHT OF WAY**

(Please Print Clearly)

It is understood that this application does not constitute permission to do work within the right-of-way, but is only an application for a permit for this job. Please allow 5-10 working days for an inspection of the working site. In some cases, permits are issued with changes to the original application and site plans. **DO NOT BEGIN** work until permit has been received and reviewed. The permit must be available on site and in contractor's possession. Permit is valid for one year after issuance.

\_\_\_\_\_ Initial states you have read

Date of Application: \_\_\_\_\_

Contractor's Name: \_\_\_\_\_ Telephone Number: \_\_\_\_\_

Company Address: \_\_\_\_\_  
Street Address City State Zip Code

24 Hour Contact: \_\_\_\_\_ Emergency Number: \_\_\_\_\_

**Project Location:**

N  
W E Side of \_\_\_\_\_ Street, at No. \_\_\_\_\_ or \_\_\_\_\_ feet  
S

N  
W E from its intersection with \_\_\_\_\_ Street or Road  
S

Excavation in Right of Way: Road Cut Bore Tunneling Other: \_\_\_\_\_

Type of Pavement: Asphalt Concrete Composite Other

Type of Curb: Concrete Roiled Concrete Vertical Asphalt None

Opening Length \_\_\_\_\_ Width \_\_\_\_\_ Depth \_\_\_\_\_

Purpose: \_\_\_\_\_

**Duration of Excavation: Estimated Start Date:** \_\_\_\_\_ **Estimated Completion Date:** \_\_\_\_\_

Is this application made before excavation? Yes \_\_\_\_\_ No \_\_\_\_\_ (If no, please complete the following)

When was the work performed and by whom: \_\_\_\_\_

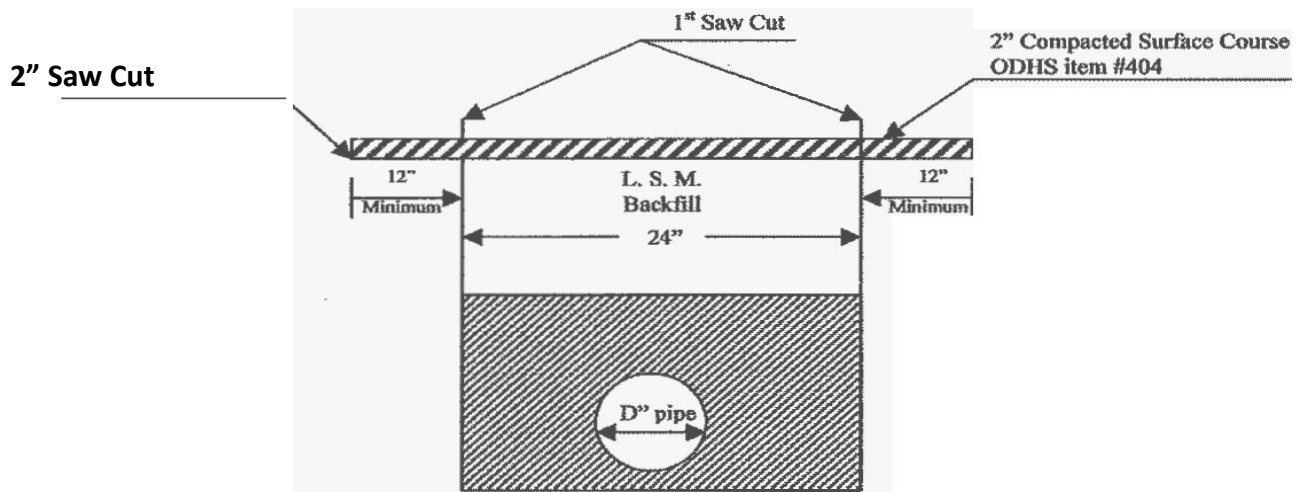


## General Specifications

### Road Cut - Bore – Tunneling

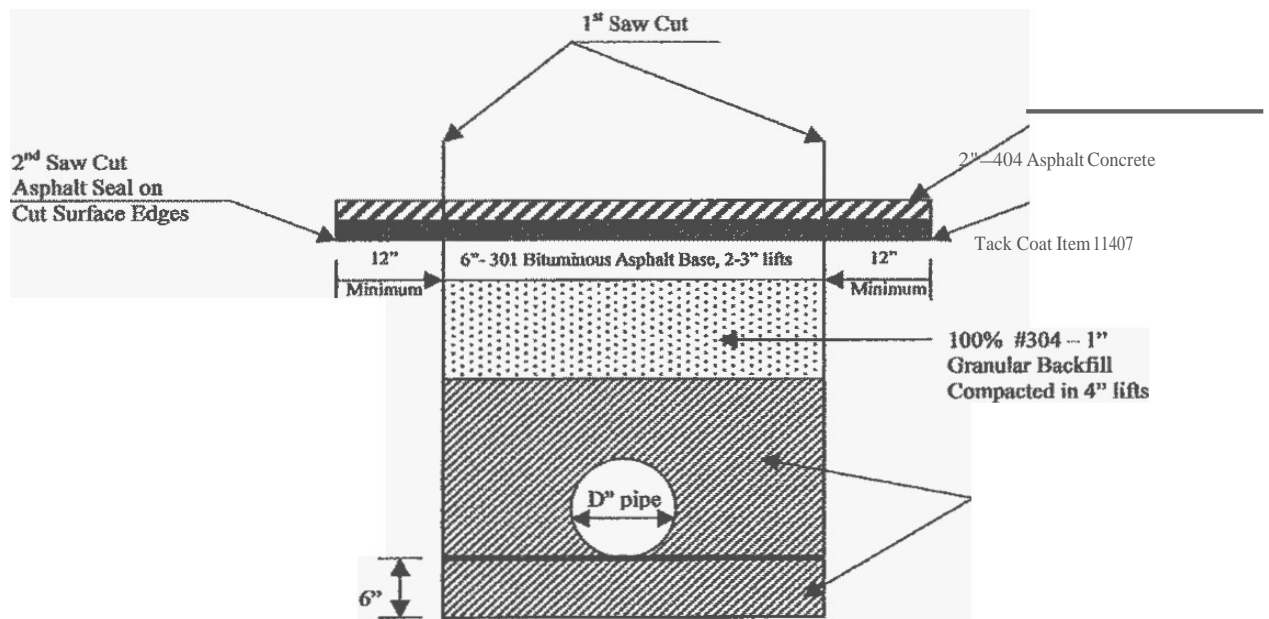
1. Give 24 hours' notice to the Service Director before work begins. Phone number 947-2021. RESIDENTS MUST BE GIVEN 24 HOURS NOTICE. Maintain at least one lane of traffic at all times. Complete closure of the road will not be permitted at any time except by written permission from the Clermont County Commissioner's or their appointed representative.
  2. Provide lights, signs, barricades and flaggers necessary to maintain safety in accordance with the Ohio Manual of Uniform Traffic Control Devices.
  3. Road Cuts: The outline of pavement cut shall be made with a saw to neat straight vertical lines. After the completion of the project BUT prior to Item 8 of these specifications, a T-Butt joint cut will be made 12" on both sides of the trench to a depth of "1 ½ - 2". All pavement replacement either (temporary or permanent) shall be made to meet existing surfaces when compacted and finished. (This procedure should help eliminate the washboard effect of road repairs.) (See Road Cut Diagram)
  4. Backfill specifications around pipe: Contractor shall contact appropriate agency. Clermont County Water and Sewer Specifications have precedent for pipe bedding and cover.
  5. Use compacted granular fill (ODOT item #304) in 6: lifts where the edge of the ditch, trench, or pit is within 3' of the edge of pavement.
  6. Backfill under road and within 3' of road edge: Light mortar, or flash fill with a finished surface of asphalt cold patch 2" in depth may be maintained by the contractor until weather permits the completion of items 7 and 8 of this specification.
  7. Asphalt sub-base 6" of (ODOT item 301 asphalt) in 2" lifts to within 2" of surface. Cold shall be required if asphalt 301 is not available.
  8. Finished surface of roadway with (ODOT spec. #404) 2" installed and edges shall be sealed with liquid asphalt. Road cut when left overnight must be steel plated or backfilled and cold patched. Steel plates must be firmly secured. Any road cut made between November 15th and April 15th must be temporarily patched with 2" of 405 bituminous cold mix before end of workday. Temporary patches must be maintained by the applicant until such time as the permanent patch can be placed and accepted by the Pierce Township Service Department Director or his representative.
  9. Right-of-way must be restored to "as good" or "better" condition. Proper drainage shall be maintained throughout project at all times. All ditches, slopes, drainage infrastructure, mailboxes, traffic signs, guardrail and sidewalks will be restored to County specifications (regardless of current condition). Ditches will be seeded or sodded as directed by the Township Inspector. Temporary seeding and erosion control may be required at the discretion of the inspector.
  10. (Bond) (Deposit) Attached in the amount of \$\_\_\_\_\_ to indemnify the Township against liability or damage as the result of such excavation and to guarantee the performance of all conditions of the permit, if issued. (Rate of Bond is \$100.00 per foot). Applicant must provide a copy of Insurance Certificate for the amount of \$1,000,000.00 to protect the Township against liability or damage as the result of such excavation.
  11. All OSHA regulations must be followed. A "COMPETENT PERSON" as defined by OSHA SHALL BE ON SITE WHILE TRENCHING.
  12. Roadways and Driveways shall be made passable by end of days' work.
  13. Pavement and berm will be kept clean of construction debris at all times. The contractor agrees to reimburse the Township for any clean up or installation of proper signs, barricades, flashers, and platting of the work site by the Township personnel. This includes mud tracked onto township roads.
  14. Materials stored in right-of-way are required to be properly barricaded and signed. Materials shall not be stored on the road surface.
  15. Loading and unloading of equipment and material from the roadway without protecting pavement will not be permitted. The Contractor will repair any damage to roadway.
  16. Contractor agrees to reimburse Pierce Township for the inspection of project after regular work hours or weekends.
  17. Other: \_\_\_\_\_
- 
-

# Open Road Cut



## Gravel Backfill ODTS Item 410 Type A per County Water/Sewer Specification

### Low Strength Mortar Cross Section



**Note:** The Pavement thickness indicated are indicated are minimum standards. If the pavement which is to be repaired has a greater thickness of asphalt, it shall be re placed in kind.

(Please keep for your records)